



StyleWriter

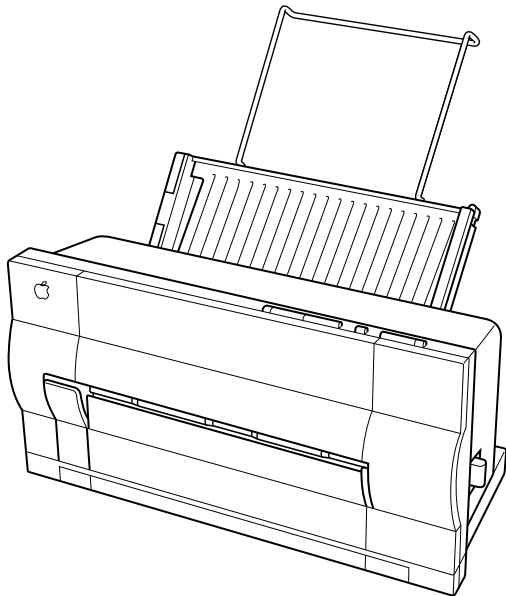




Basics

StyleWriter





Introduction

The StyleWriter is a serial bubble jet ink-on-demand printer.

The StyleWriter prints up to 1/3 page per minute at a resolution of 360 dpi in Best Mode.





Specifications

StyleWriter





Characteristics

Print Methods	Serial bubble jet ink-on-demand
Throughput	1/3 page per minutes in Best mode 1/2 page per minute in Faster mode (actual speed depends on images printed)
Print Head	1 by 64 nozzles
Print Head Life	Approximately 500 pages (normal mode)
Input Buffer	8 K





Graphics

Resolution

360 dpi (Best mode)

180 dpi (Faster mode)





Paper Handling

Paper

Size: LTR, LGL, A4

Weight: 16-24 lb.

Capacity: 50 sheets (A4, LTR)

Envelopes

Size: Commercial number 10 size only (4.1 in. by 9.5 in)

Transparencies

Coated transparencies, or most inkjet transparencies





Ink Cartridges

Type	Ink cartridge
Ink Color	Black
Ink Amount	Approximately 20 g (per cartridge)
Life	Approximately 500 pages





Environmental

Acoustic Noise Level Under 50 dB (reference level)

Temperature 59-86° F (15-30° C)

Humidity 20-70% (no condensation)





Electrical

Power Source

U.S./Canada: 120 VAC, 60 Hz

Japan: 120 VAC, 50/60 Hz

U.K./Australia: 240 VAC, 50 Hz

Europe: 220 VAC, 50 Hz

Power Consumption

23 W maximum at 120 V

25 W maximum at 220 V





Physical

Dimensions

Height: 12.5 in. (32 cm)

Width: 13.25 in. (33.6 cm)

Depth: 9 in. (23 cm)

Weight

Approximately 7.5 lb. (3.4 kg)





Troubleshooting

StyleWriter





General

The Symptom Charts included in this chapter will help you diagnose specific symptoms related to your product. Because cures are listed on the charts in the order of most likely solution, try the first cure first. Verify whether or not the product continues to exhibit the symptom. If the symptom persists, try the next cure. (Note: If you have replaced a module, reinstall the original module before you proceed to the next cure.)

If you are not sure what the problem is, or if the Symptom Charts do not resolve the problem, refer to the Flowchart for the product family.

For additional assistance, contact Apple Technical Support.





Symptom Charts

Preliminary Checks

Computer cannot find printer

- 1 Verify that StyleWriter drive is installed.
- 2 Verify that Chooser and Control Panel settings are correct.
- 3 Verify that serial cable is connected.
- 4 Replace serial cable.

No lights or movement

- 1 Verify that printer is turned on and plugged into power adapter and wall socket.
- 2 Replace AC power adapter.
- 3 Replace 2.5 amp fuse on logic board.





Print quality
problems

- 1 Verify that paper is correct weight.
- 2 Purge ink cartridge.
- 3 Replace ink cartridge.
- 4 Verify that logic board and printer frame are compatible with StyleWriter revision. See “Revision Identification” in Additional Procedures.

Mechanical problems

- 1 Verify that paper is correct weight.
- 2 Clear paper jam.
- 3 Verify that cut sheet feeder aligns with printer.
- 4 Replace cut sheet feeder.





Status Light

No status lights

- 1 Check AC adapter connection.
- 2 Replace AC adapter.
- 3 Replace fuse.
- 4 Verify that operation cable is securely connected to logic board.
- 5 Replace logic board.
- 6 Replace operations panel assembly.
- 7 Replace operations panel cable.

Error and power lights blink; ready light is off

- 1 Carriage is jammed. Remove anything that obstructs free motion of carriage.
- 2 Replace logic board.
- 3 Verify that paper sensor is seated correctly.
- 4 Replace printer frame assembly.
- 5 Replace operations panel assembly.
- 6 Replace operations panel cable.





Error light blinks;
power light is on,
ready light is off

- 1 Close front cover.
- 2 Verify that paper is inserted properly.
- 3 Check for paper jam; remove jam, then press ready switch.
If ready and power lights come on steadily and error light is off, problem is resolved.
- 4 Replace paper sensor.
- 5 Replace logic board.
- 6 Replace printer frame assembly.
- 7 Replace operations panel assembly.
- 8 Replace operations panel cable.

Error, power, and
ready lights blink

- 1 Check cables.
- 2 Replace logic board.





Printing

No printing

- 1 Verify that interface cable between printer and computer is tightly connected.
- 2 Make sure printer is selected in Chooser.
- 3 Purge ink cartridge.
- 4 Replace ink cartridge.
- 5 Replace paper sensor.
- 6 Replace logic board.
- 7 Verify that paper sensor is seated correctly.
- 8 Replace printer frame assembly.





Garbled printing

- 1 Verify that interface cable between printer and computer is tightly connected.
- 2 Purge ink cartridge.
- 3 Replace ink cartridge.
- 4 Verify that logic board and printer frame are compatible with StyleWriter revision. See “Revision Identification” in Additional Procedures.
- 5 Replace logic board.
- 6 Replace printer frame assembly.

Overprinting

- 1 Verify that program being used is set for correct line spacing and line length.
- 2 Verify that correct printer driver is installed.
- 3 Replace logic board.
- 4 Replace printer frame assembly.





Image too light or too dark

- 1 Purge ink cartridge.
- 2 Use 16 lb. to 24 lb. cotton bond paper.
- 3 Verify that forms thickness lever is set correctly (up for standard paper; down for envelopes, transparencies, labels, and heavy paper).
- 4 Replace ink cartridge.

White lines in printing

- 1 Purge ink cartridge.
- 2 Replace ink cartridge.
- 3 Replace logic board.
- 4 Replace printer frame assembly.





Page prints off center; images are out of place	<ol style="list-style-type: none">1 Use 16 lb. to 24 lb. cotton bond paper.2 Verify that sheet feeder holds no more than 50 sheets.3 Verify that paper is inserted properly.4 Verify that margins in document and paper size in Page Setup are set correctly.5 Replace logic board.6 Replace printer frame assembly.
Ink appears on back of paper	<ol style="list-style-type: none">1 Clean platen with soft, dry cloth.2 Clean platen rollers.3 Replace platen rollers.4 Replace printer frame assembly.
Image wavy, splotchy, or distorted	<ol style="list-style-type: none">1 Purge ink cartridge.2 Replace ink cartridge.3 Replace printer frame assembly.





Carrier Movement

Erratic carrier motion	1	Replace logic board.
	2	Replace printer frame assembly.
Power light is on; carrier does not move	1	Make sure carrier area is clear of obstructions.
	2	Replace logic board.
	3	Replace printer frame assembly.
Printer does not perform self-test; ready light is on	1	Replace logic board.
	2	Replace operations panel assembly.
	3	Replace printer frame assembly.
Carrier grinds, hums loudly, or locks	1	Verify that paper sensor is seated correctly.
	2	Replace printer frame assembly.





Paper Feed

No paper feed

- 1 Verify that cut sheet feeder aligns with printer.
- 2 Release paper pressure plate on cut sheet feeder.
- 3 Make sure paper path is clear of obstructions.
- 4 Replace cut sheet feeder.
- 5 Replace logic board.
- 6 Replace printer frame assembly.

Grinding during paper feed

- 1 Make sure paper path is clear of obstructions.
- 2 Verify that forms thickness lever is set correctly (up for standard paper; down for envelopes, transparencies, labels, and heavy paper).
- 3 Verify that cut sheet feeder aligns with printer.
- 4 Replace cut sheet feeder.
- 5 Replace logic board.
- 6 Replace printer frame assembly.





Paper feed
difficulties: binding,
tearing

- 1 Verify that forms thickness lever is set correctly (up for standard paper; down for envelopes, transparencies, labels, and heavy paper).
- 2 Make sure paper path is clear of obstructions.
- 3 Verify that paper is inserted properly.
- 4 Use 16 lb. to 24 lb. cotton bond paper.
- 5 Verify that cut sheet feeder aligns with printer.
- 6 Replace cut sheet feeder.
- 7 Replace printer frame assembly.

Envelope feed
problems

- 1 When printing envelopes
 - Adjust paper thickness lever
 - Do not run cut sheets and envelopes in same print job
 - Reset paper thickness lever after printing envelopes
- 2 Replace printer frame assembly.





Miscellaneous

Operations panel
buttons don't work

- 1 Verify that operations panel cable is securely connected to logic board and operations panel.
- 2 Replace logic board.
- 3 Replace operations panel cable.
- 4 Replace operations panel.

Software-specific
problem

- 1 Verify that software is known-good.
- 2 Verify that software is compatible with TrueType fonts.
(Check your software application manual.)





Take Apart

StyleWriter

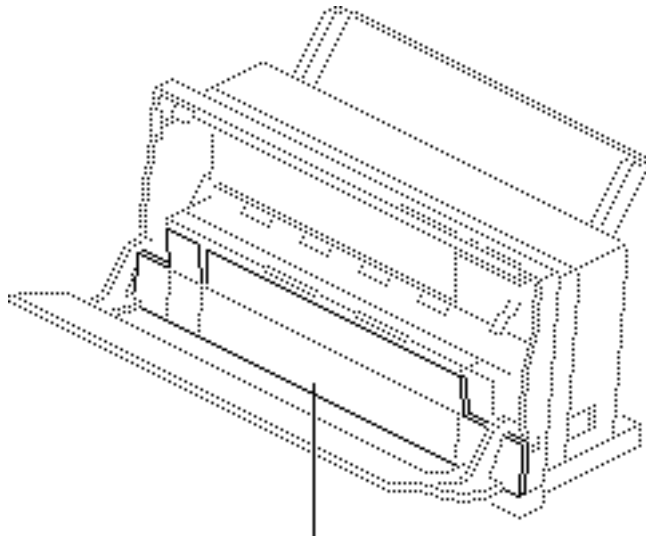




Lower Access Cover

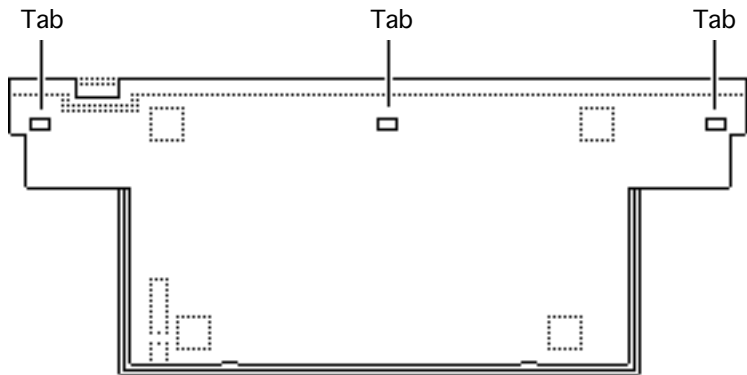
No preliminary steps are required before you begin this procedure.

Caution: To ensure the print head is capped, switch off the StyleWriter before unplugging it.



Lower Access Cover



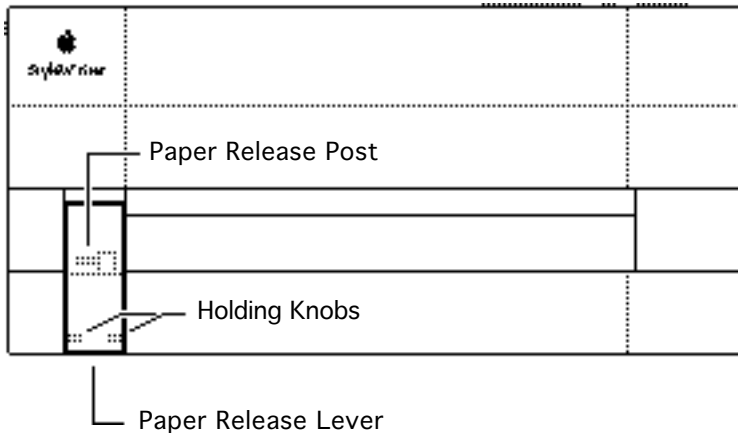


Caution: Be careful not to bend or break any of the plastic tabs on the StyleWriter. Use jeweler's screwdrivers and precision tweezers and do not apply excessive force.

Note: Before taking apart the StyleWriter, remove the ink cartridge and separate the printer from the cut sheet feeder.

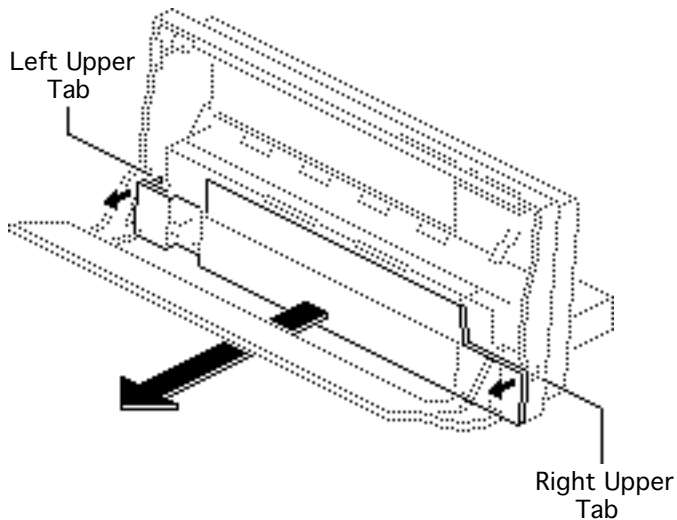
- 1 Using a small flat-blade screwdriver, release the three tabs along the bottom of the rear cover.





- 2 Pry the paper release lever away from the lower access cover and snap it free from the holding knobs.
- 3 Twist and slip the lever off the paper release post on the frame.



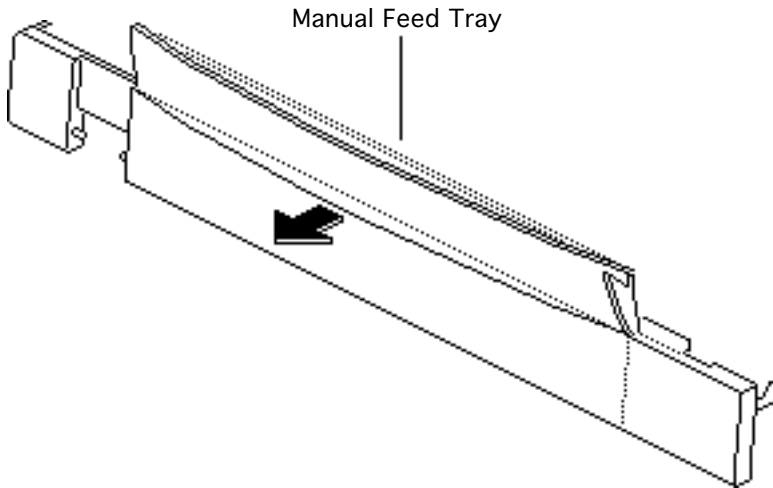


- 4 Open the upper access cover.
- 5 Free the lower access cover at the upper tabs.
- 6 Remove the lower access cover.





- 7 Remove the manual feed tray by flexing it enough to free the plastic hinges from the lower access cover.

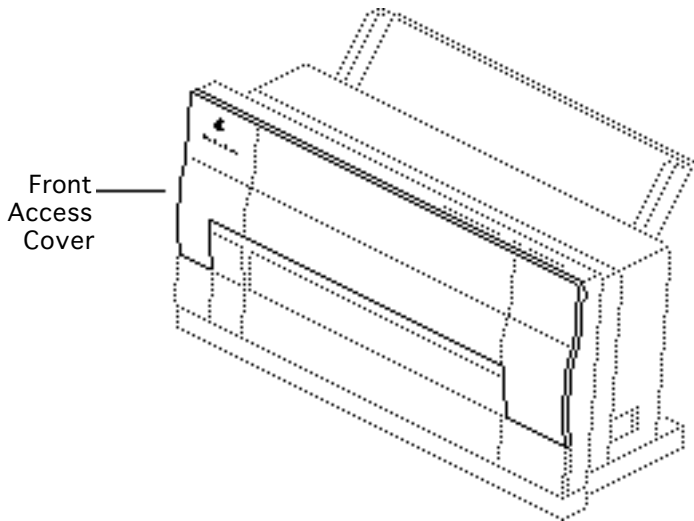


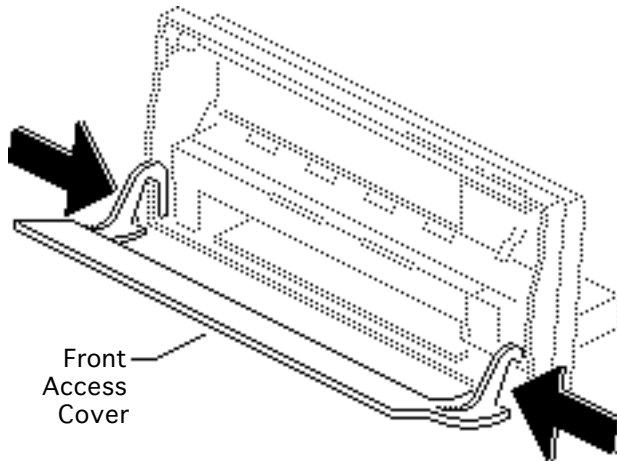


Front Access Cover

Before you begin, remove lower access cover.

Note: The front access cover is held in place by two arms that function as hinges. Plastic knobs at the end of the arms fit into holes on the inside of the rear cover.





- 1 Open the front access cover.
- 2 Press the end of each arm inward and free the arm's knob from the hole in the rear cover.
- 3 Lift off the front access cover.



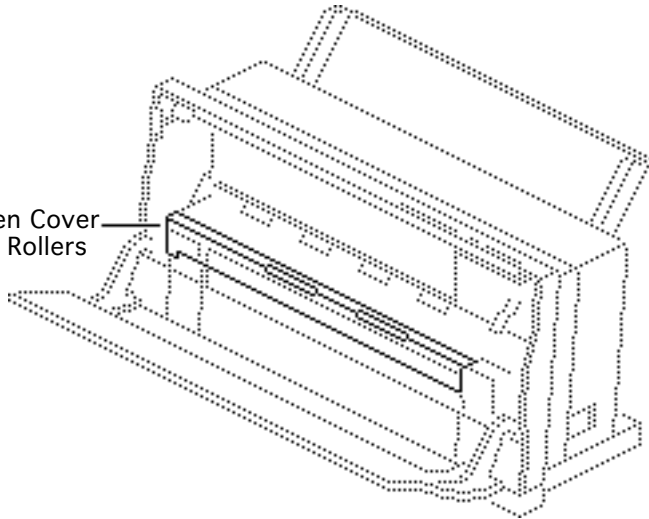


Platen Cover and Rollers

Before you begin, remove the following:

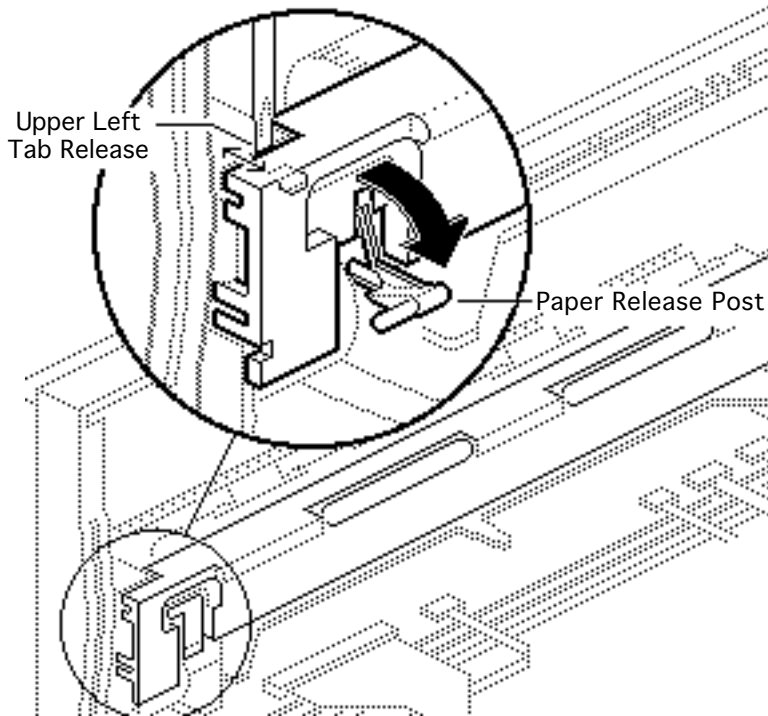
- Lower access cover
- Front access cover

Platen Cover
and Rollers



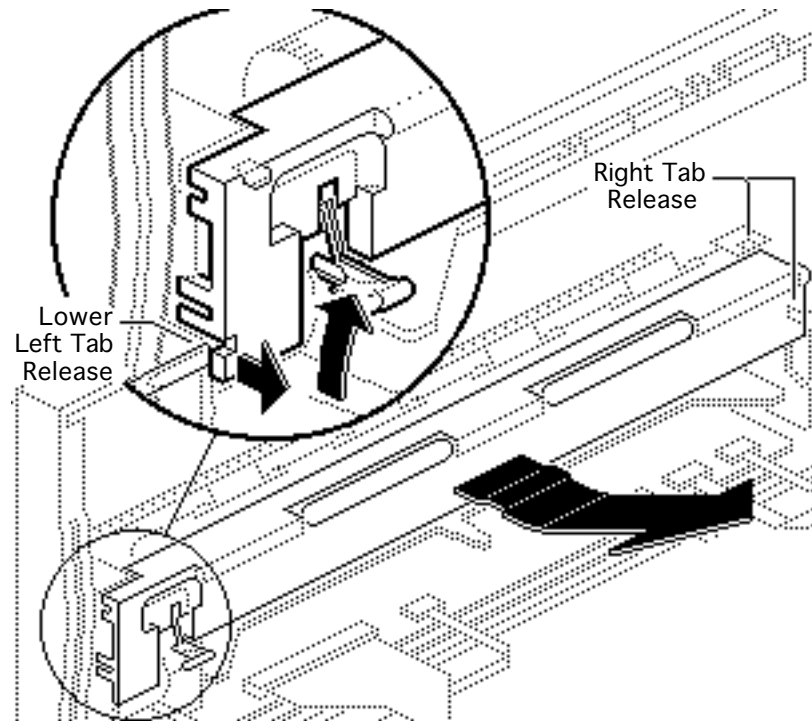
Caution: Remove the platen cover only if it is broken and must be replaced. Do not remove it to perform other take-apart procedures. The plastic tabs are hidden and tiny, and they break easily. Do not use force!





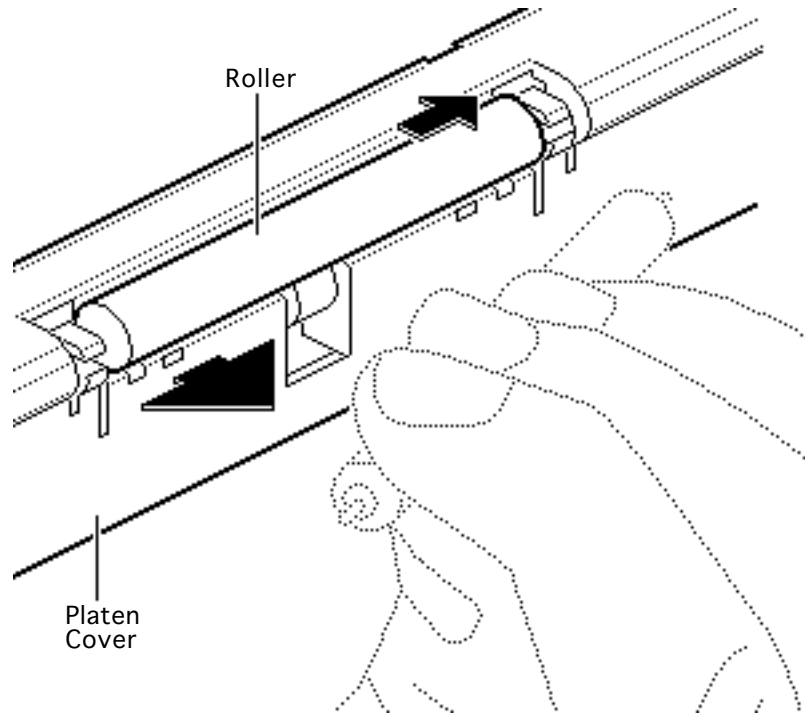
- 1 Pull the paper release post down as far as possible.
- 2 Using a jeweler's screwdriver, carefully free the upper left tab.





- 3 Using a jeweler's screwdriver, gently pry between the platen cover and printer frame and free the lower left tab release.
- 4 Lift and twist the cover to free the right tab release.
- 5 Lift the platen cover free.





- 6 **Note:** It is not necessary to remove the platen cover from the printer frame to remove a roller.

To remove a roller, grasp one end, press firmly to the side, and snap the roller out of the mounting holes.





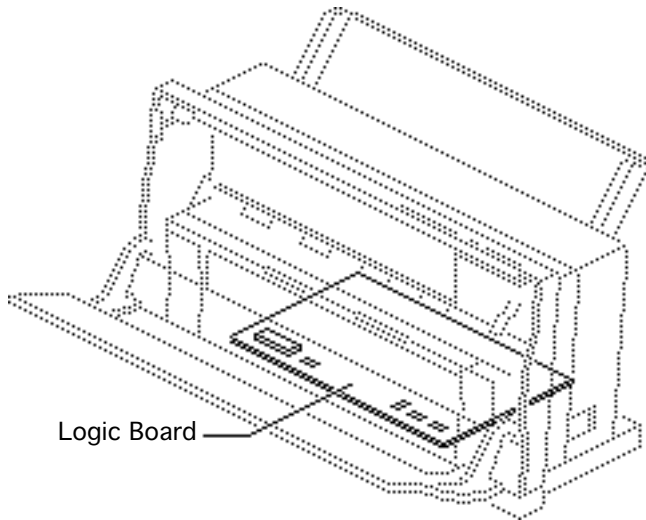
Logic Board

Before you begin, remove the following:

- Lower access cover
- Front access cover

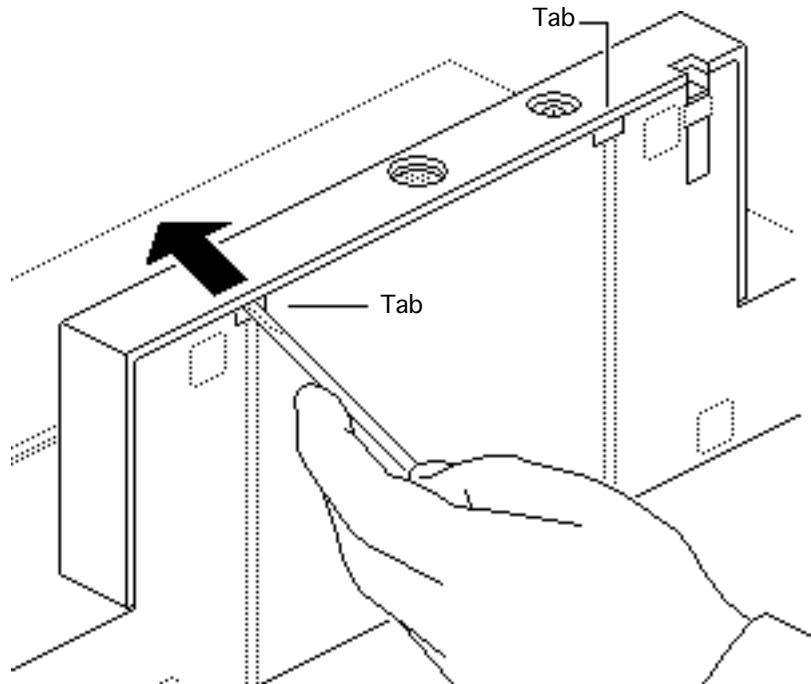
Review the ESD precautions in Bulletins/Safety.

Caution: You must replace Revision A and Revision B logic boards like-for-like. If you are replacing the logic board, see “Revision Identification” in Additional Procedures.



Logic Board



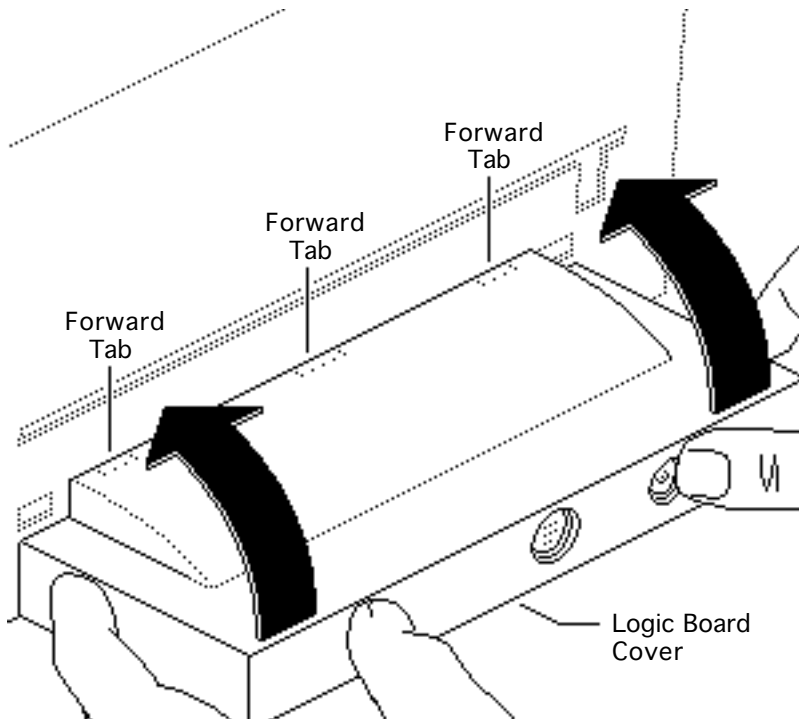


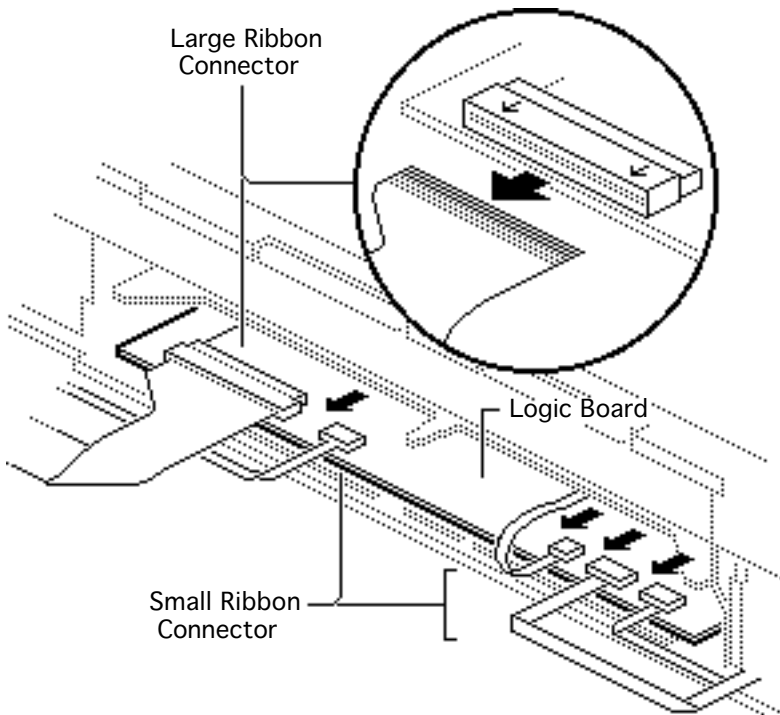
- 1 Using a small flat-blade screwdriver, gently pry up and release the two tabs on the bottom of the printer.





- 2 Lift the rear of the logic board cover and release it at the forward tabs.

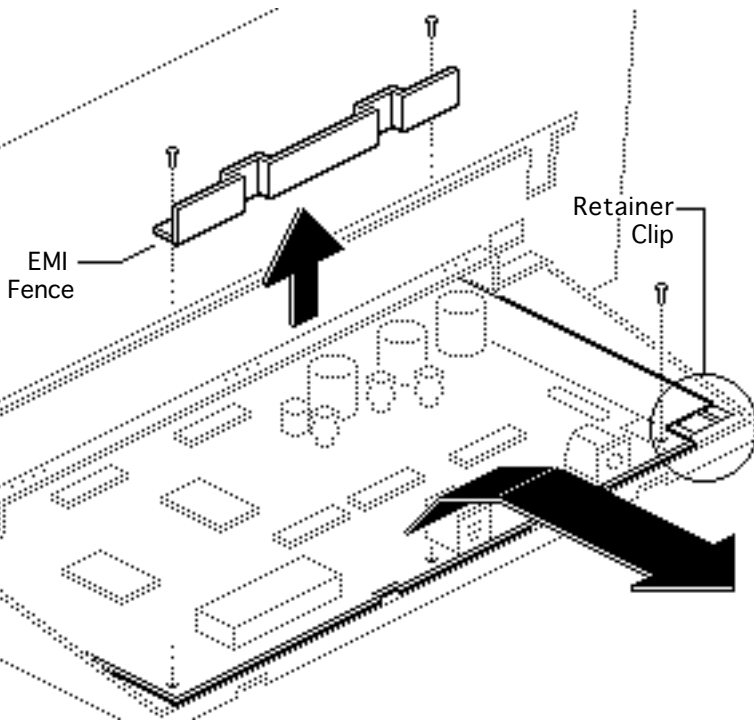




- 3 **Caution:** Disconnect the five ribbon cables with great care and only when necessary.

Turn the printer around so that you see the printer frame assembly.
- 4 Gently pull on the tab ends of the four smaller ribbon cables, and disconnect them from the logic board.
- 5 Slide the front half of the largest connector toward you into the unlocked position. Gently pull out the cable.





- 6 Remove the three screws and set aside the EMI fence.
- 7 Slide the logic board out of the frame from the rear. Be sure to keep the retainer clip.



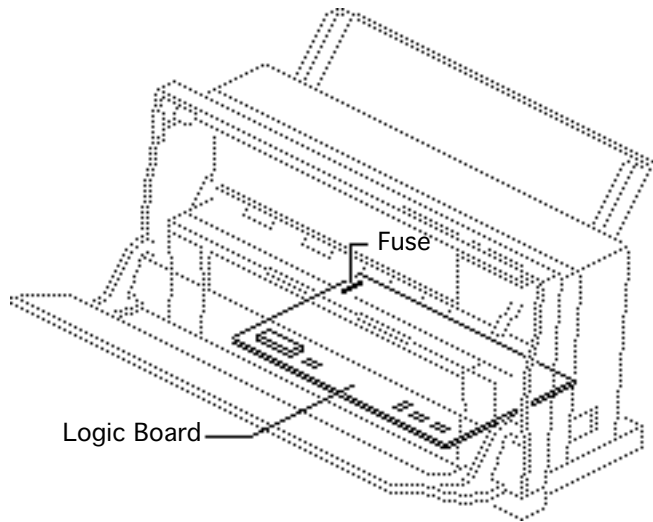


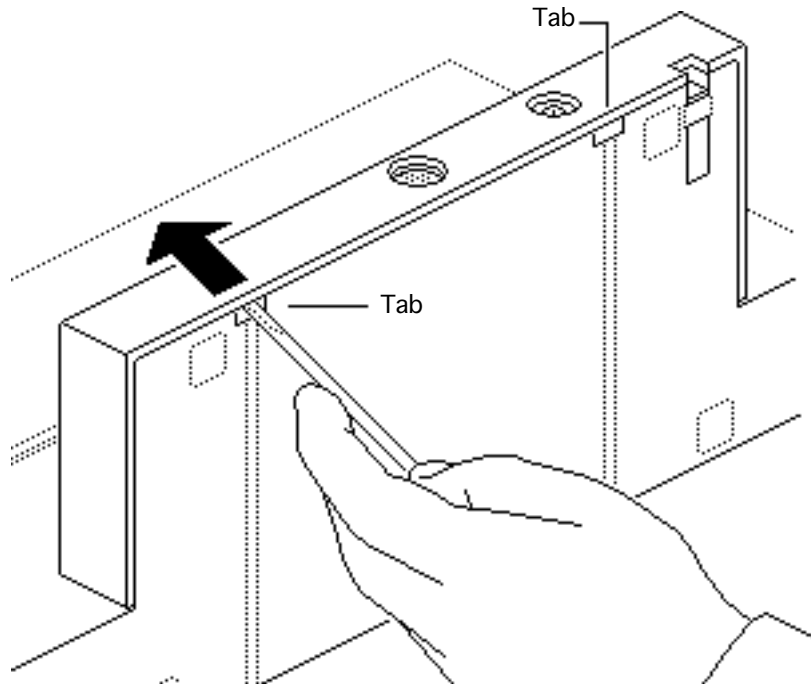
Fuse

Before you begin, remove the following:

- Ink Cartridge
- Cut Sheet Feeder

Review the ESD precautions in Bulletins/Safety.



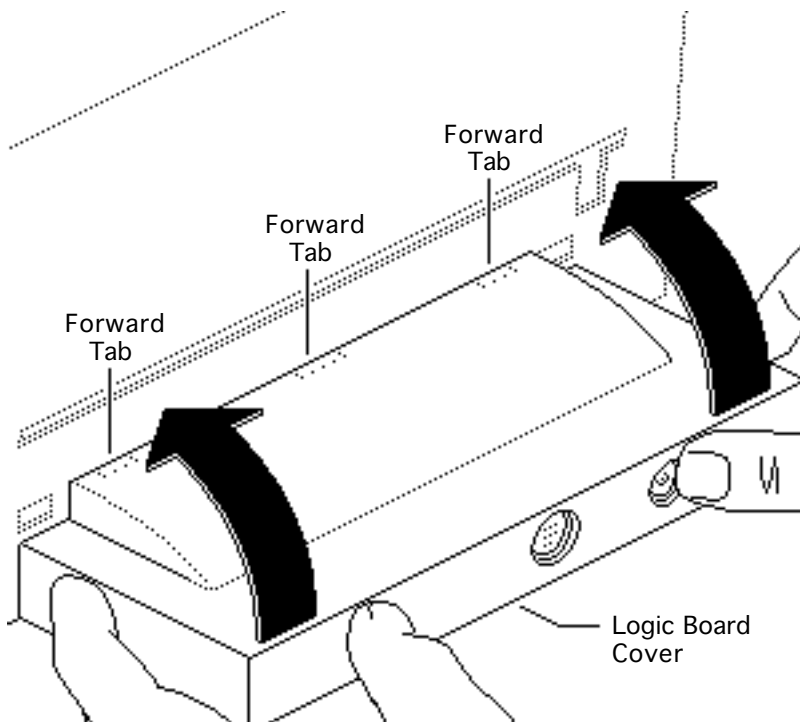


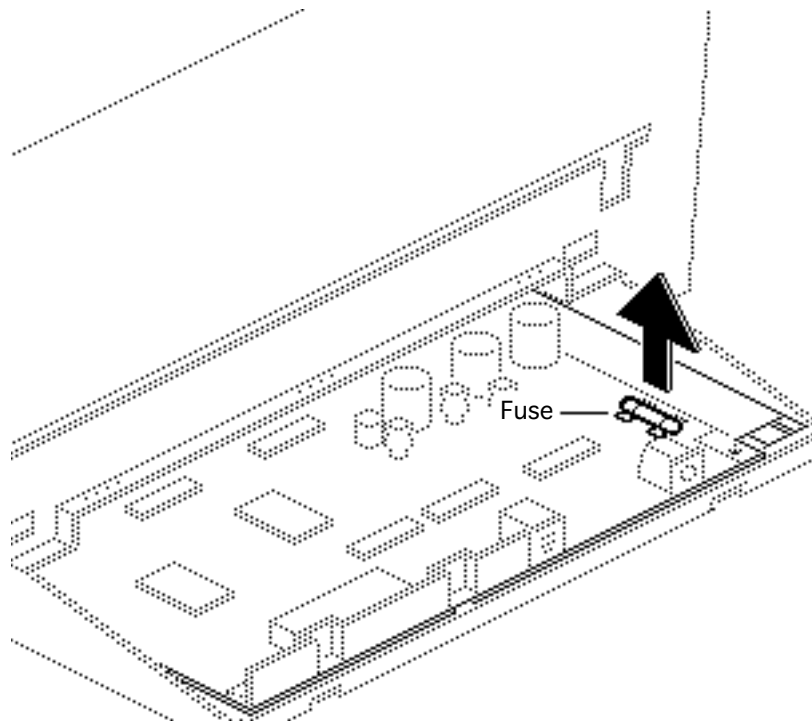
- 1 Using a small flat-blade screwdriver, gently pry up and release the two tabs on the bottom of the printer.





- 2 Lift the rear of the logic board cover and release it at the forward tabs.





- 3 Using a jeweler's screwdriver, gently pry the ends of the fuse out of the holder.



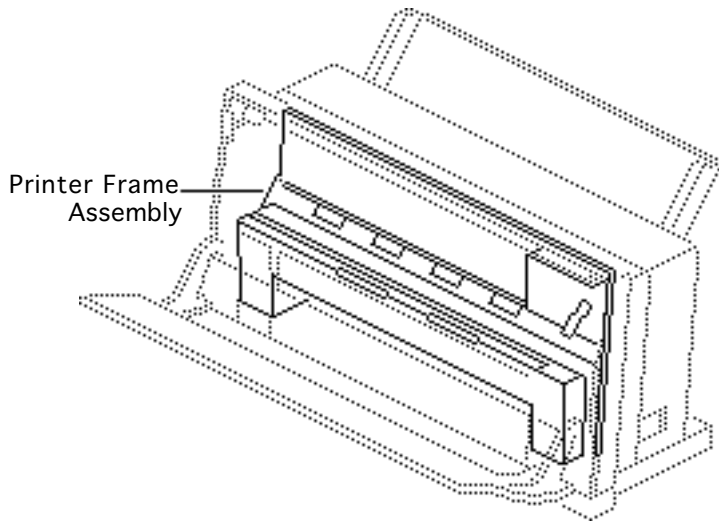


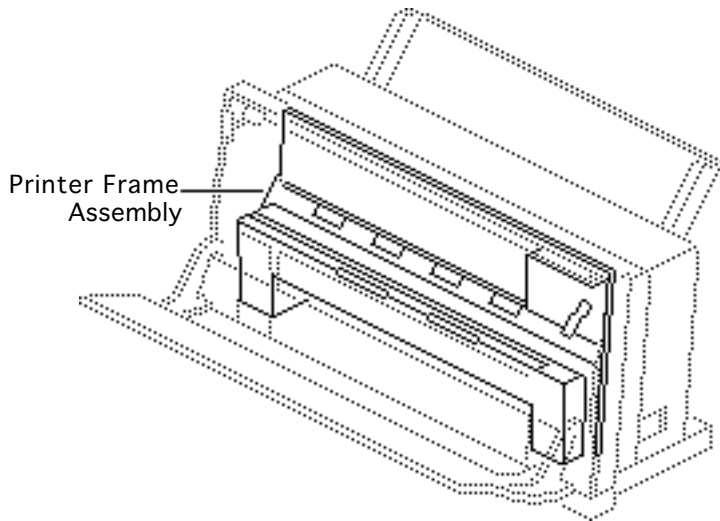
Printer Frame Assembly

Before you begin, remove the following:

- Lower access cover
- Front access cover
- Logic board

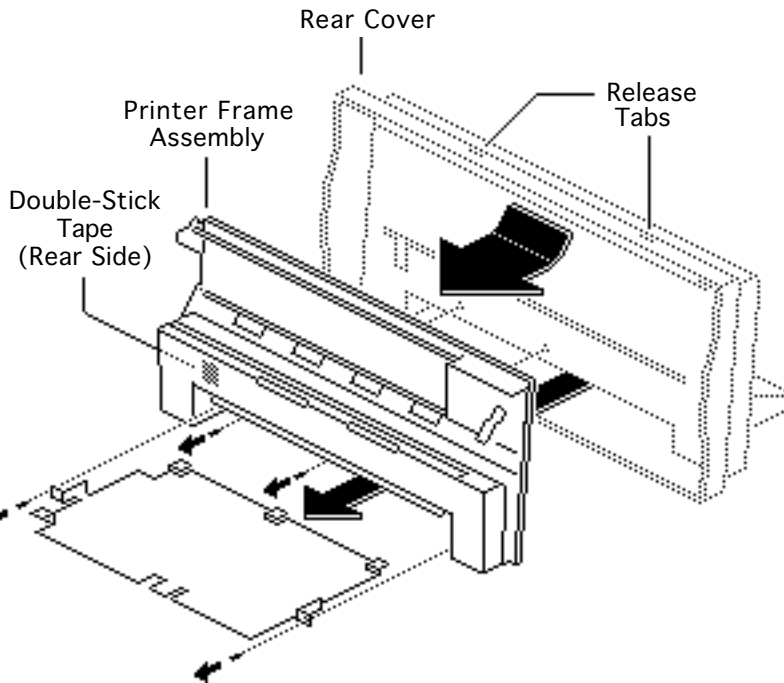
Note: The printer frame assembly comes with the platen cover, paper sensor, cartridge hook, and forms thickness lever installed. Do not remove these parts prior to returning a printer frame to Apple.





Caution: You must replace Revision A and Revision B printer frame assemblies like-for-like. If you are replacing the frame assembly, see “Revision Identification” in Additional Procedures.





- 1 Remove the four screws.
- 2 Slide the RFI shield out the front of the printer.
- 3 Pull the printer frame assembly down and out and free it from the release tabs.

Replacement Note:
Ribbon cables on replacement printer frame assemblies are taped to the assembly for shipping. Remove the tape carefully and press the cartridge ribbon cable onto the double-stick tape.



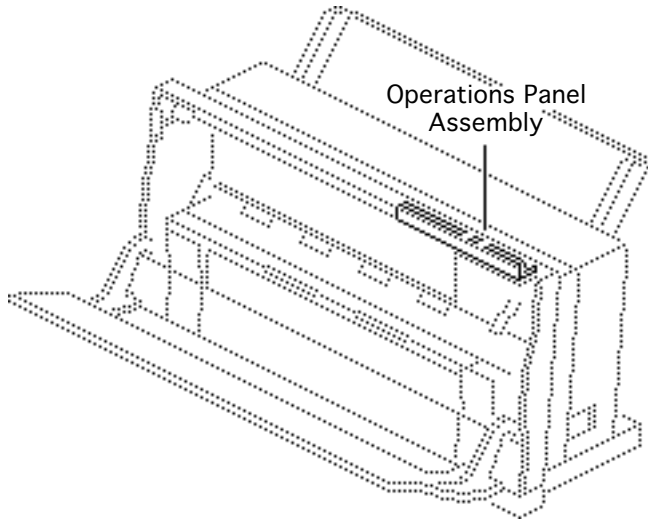


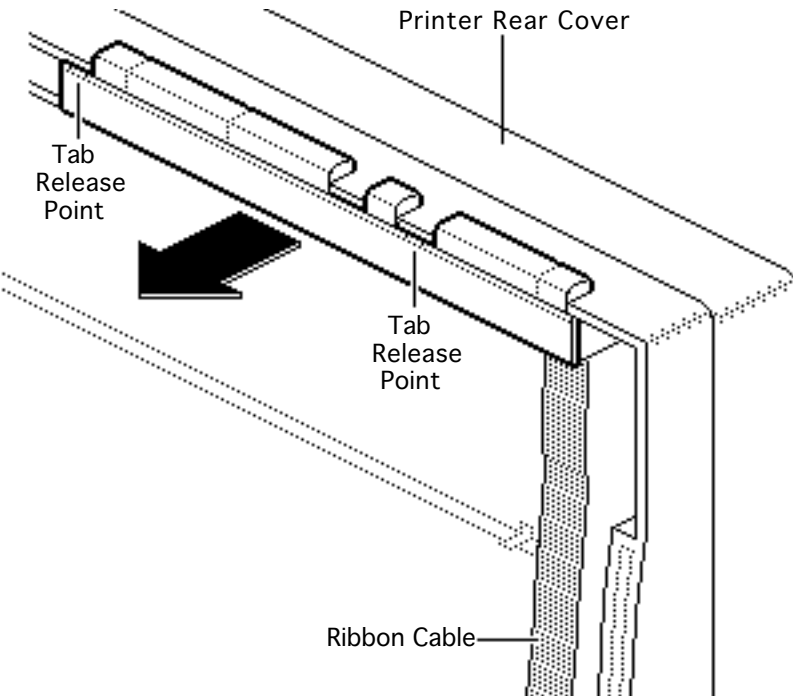
Operations Panel Assembly

Before you begin, remove the following:

- Lower access cover
- Front access cover
- Logic board
- Printer frame assembly

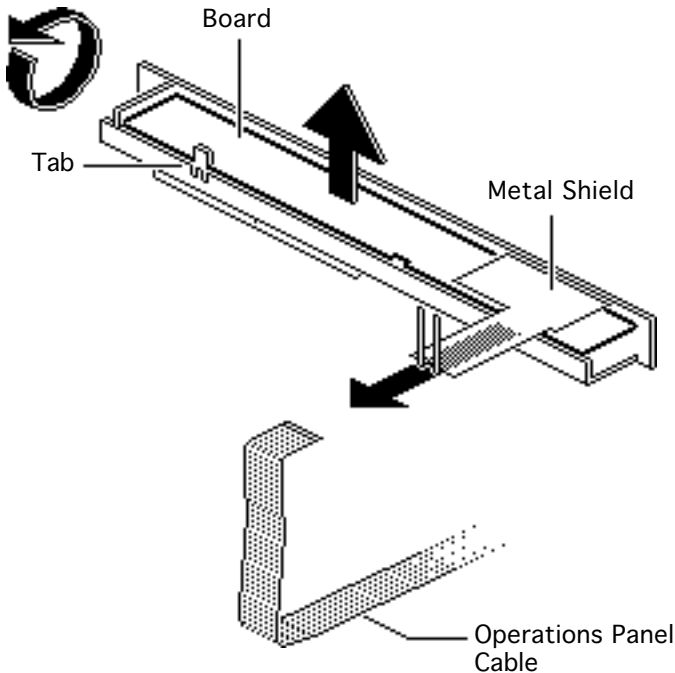
Note: The operations panel assembly includes the panel cover (with buttons) and the PCB. The metal shield and the operations panel cable are available separately.





- 1 **Note:** The ribbon cable is attached to the inside of the rear cover with double-stick tape.
Carefully pull up on the ribbon cable.
- 2 Using a jeweler's screwdriver, depress the two tabs.
- 3 Slide the operations panel toward you and free it from the rear cover.





- 4 To remove the operations panel cable, pull gently on the cable connector and free it from its connector.
- 5 To remove the metal shield, release the tab and lift out the board and the metal shield.

Replacement Note:
When replacing the operations panel cable, be sure the metal teeth of the ribbon cable face the bottom side of the connector and that the colored plastic faces up.





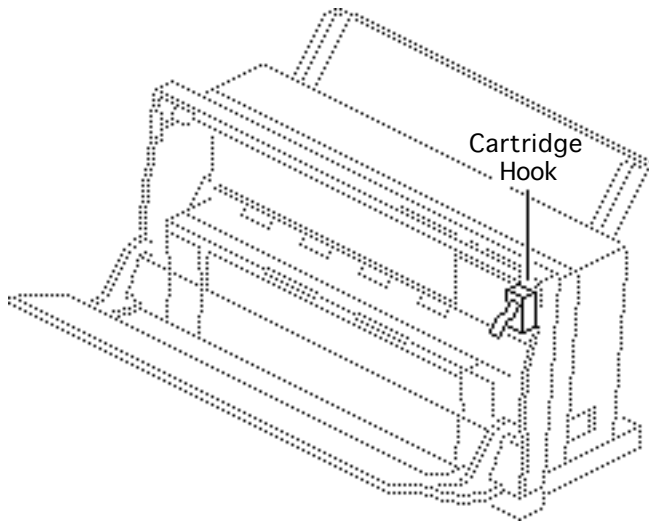
Cartridge Hook

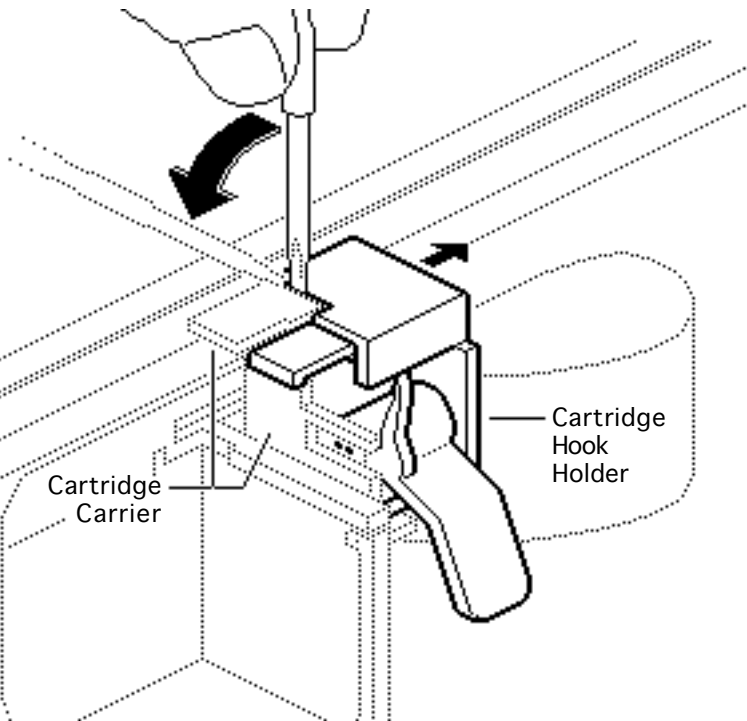
Before you begin, remove the following:

- Lower access cover
- Front access cover
- Logic board
- Printer frame assembly

Caution: Place the printer frame assembly on a padded surface, taking care not to crumple the ribbon cables under the frame.

Note: The cartridge hook kit contains the cartridge hook, lever, spring, and holder.



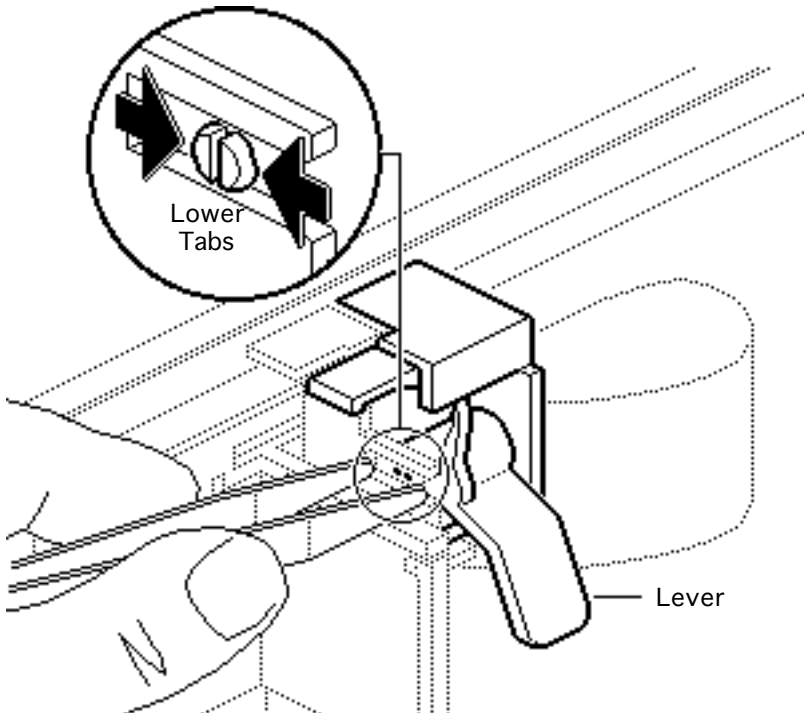


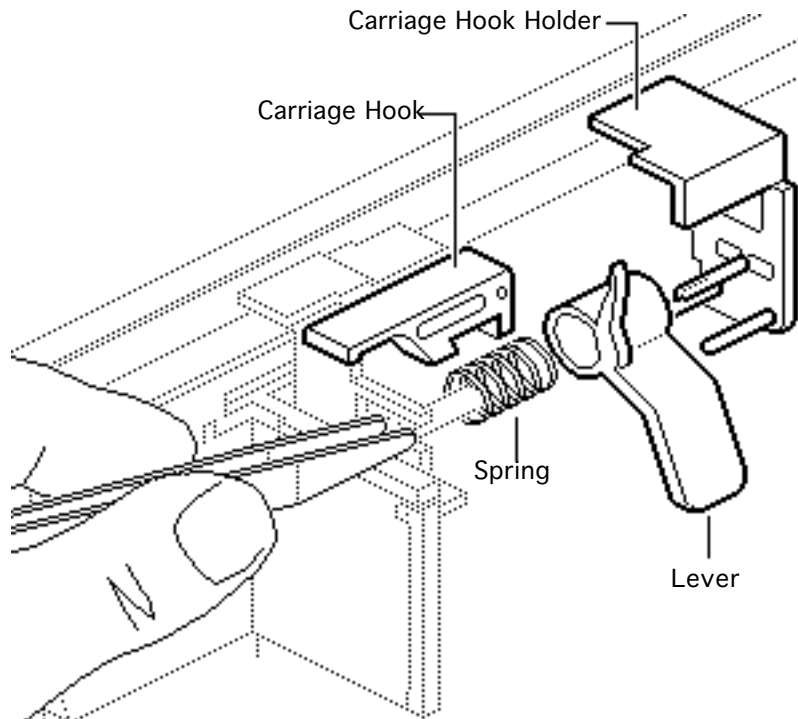
- 1 Using a jeweler's screwdriver, gently pry between the top of the cartridge hook holder and the adjacent plastic of the cartridge carrier.
- 2 Push the cartridge hook holder slightly away from the cartridge carrier.





- 3 Using small needlenose tweezers, gently squeeze the tips of the lower tabs inward and release the spring that holds the lever in position.

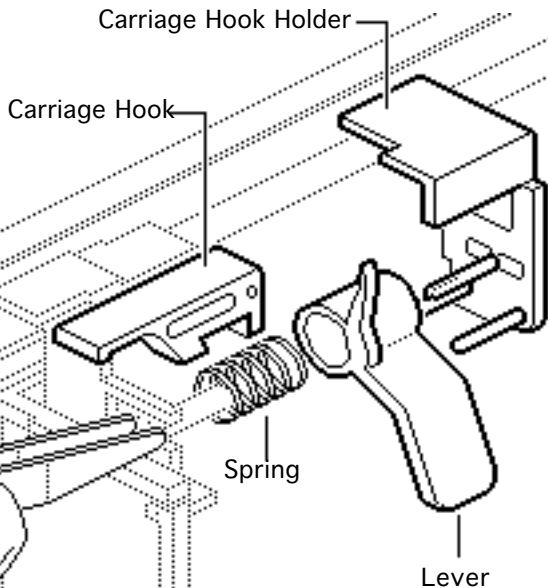




- 4 **Note:** The four pieces of the cartridge hook assembly (the holder, spring, lever, and hook) will fall into your hand when you perform this step.

Pull the cartridge hook holder off the frame.





Replacement Note: To reassemble, put the cartridge hook on its post on the cartridge carrier, and put the blue lever and spring over the central post of the holder. Slide the assembly into place as you mesh the ridge on the lever with the groove on the bottom of the cartridge hook. Snap the assembly securely into place.



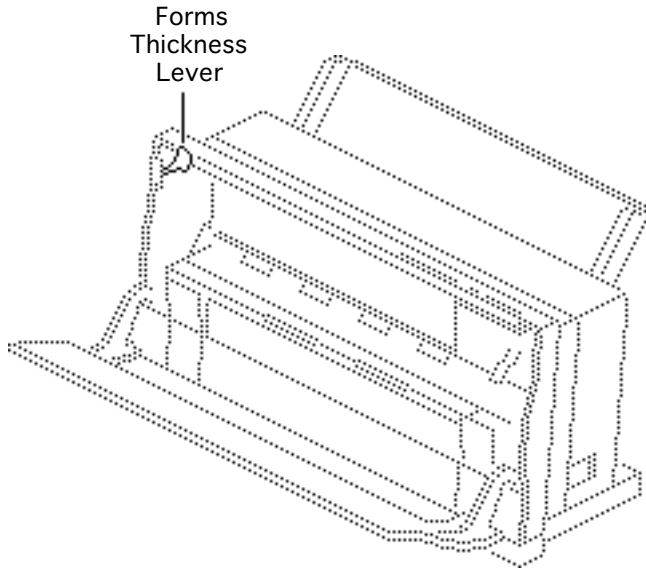


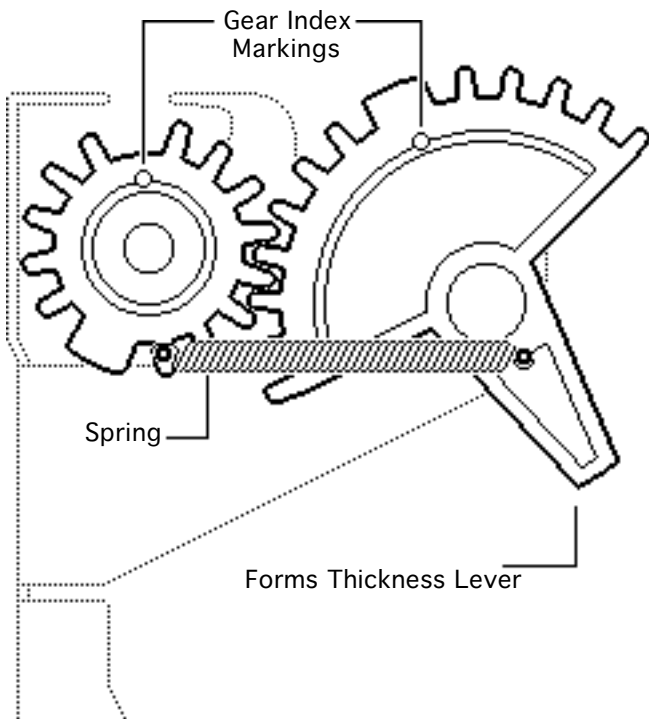
Forms Thickness Lever

Before you begin, remove the following:

- Lower access cover
- Front access cover
- Logic board
- Printer frame assembly

Caution: Place the printer frame assembly on a padded surface, taking care not to crumple the ribbon cables under the frame.

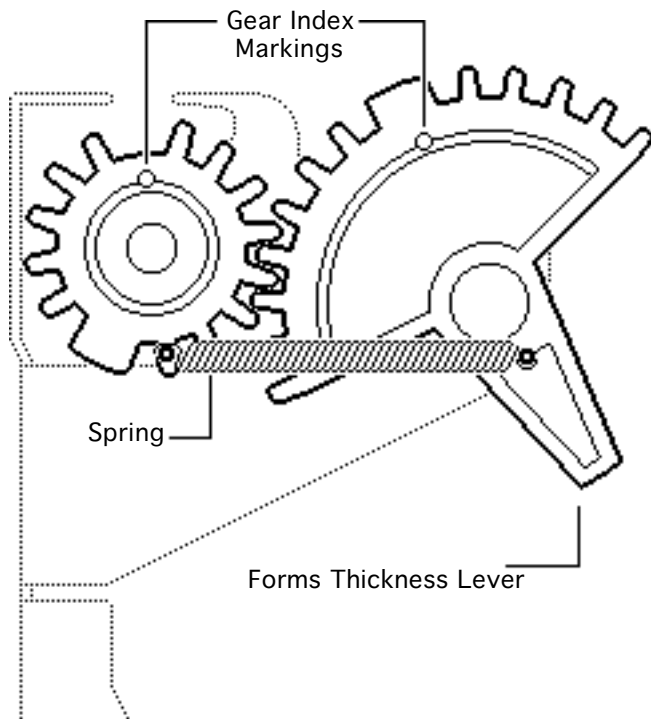




- 1 **Note:** The forms thickness lever kit contains the forms thickness lever and its spring.

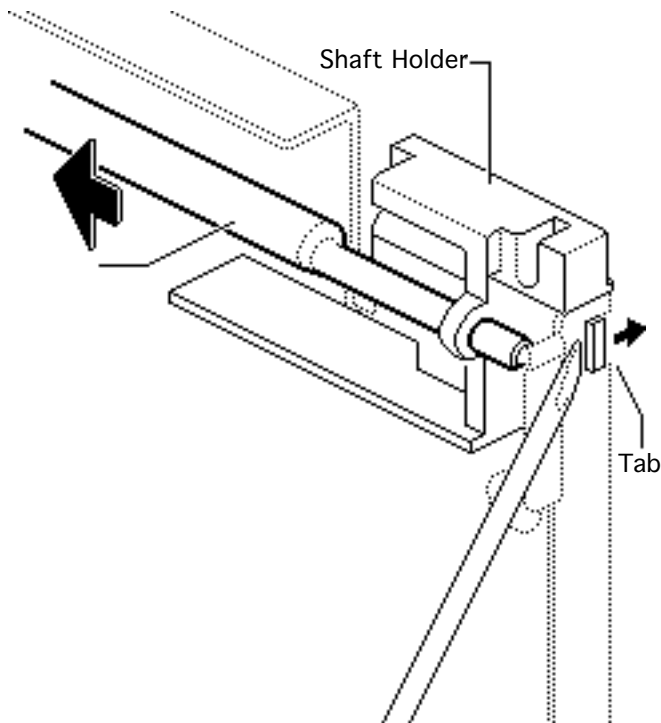
Remove the spring from the forms thickness lever.





Replacement Note: The forms thickness lever is actually a gear that meshes with a second gear behind it. The second gear attaches to the carriage shaft that controls the distance of the ink cartridge from the paper. Note the gear index markings that align when the gears are in the middle of the range. Align these markings during reassembly.





- 2 Using a jeweler's screwdriver, push down on the black plastic tab and at the same time push the shaft toward the forms thickness lever. The lever should now be free of the second gear.
- 3 Turn the lever to its full UP or DOWN position, and slide it off the printer frame.

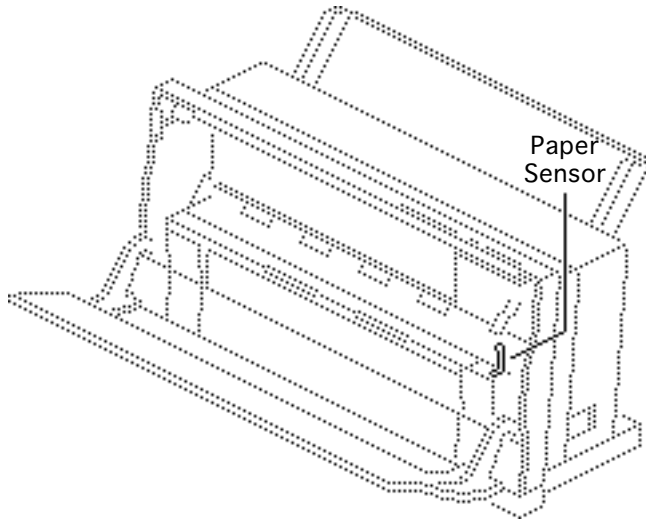




Paper Sensor

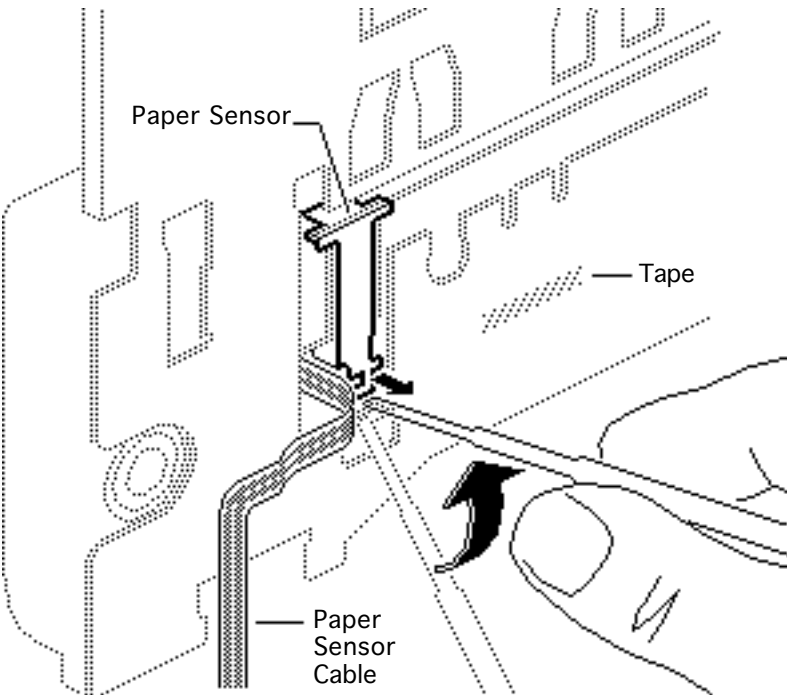
Before you begin, remove the following:

- Lower access cover
- Front access cover
- Logic board
- Printer frame assembly



Note: The paper sensor is located on the rear of the printer frame assembly. The paper sensor cable attaches to the front of the logic board.





- 1 **Note:** The paper sensor cable is attached to the back of the printer frame with double-stick tape.

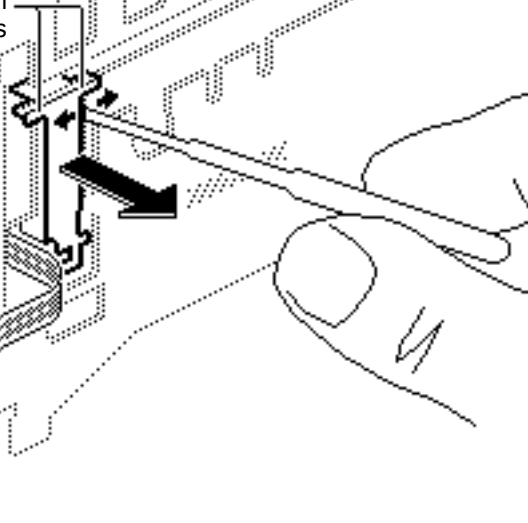
Carefully peel off the paper sensor cable, leaving the tape in place on the metal frame.

- 2 Carefully release the tab at the bottom of the paper sensor.





Upper Pin
Release Points



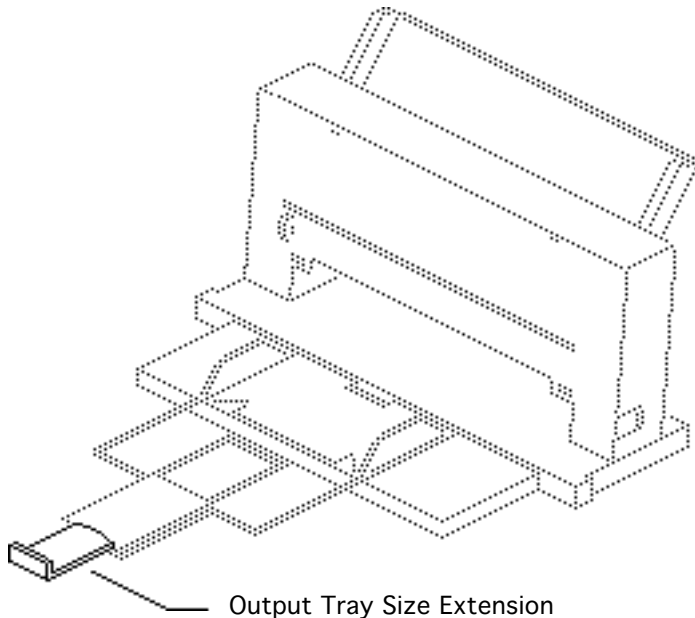
- 3 Insert a jeweler's screwdriver between the paper sensor and the frame at the release points.
- 4 Snap out the sensor.

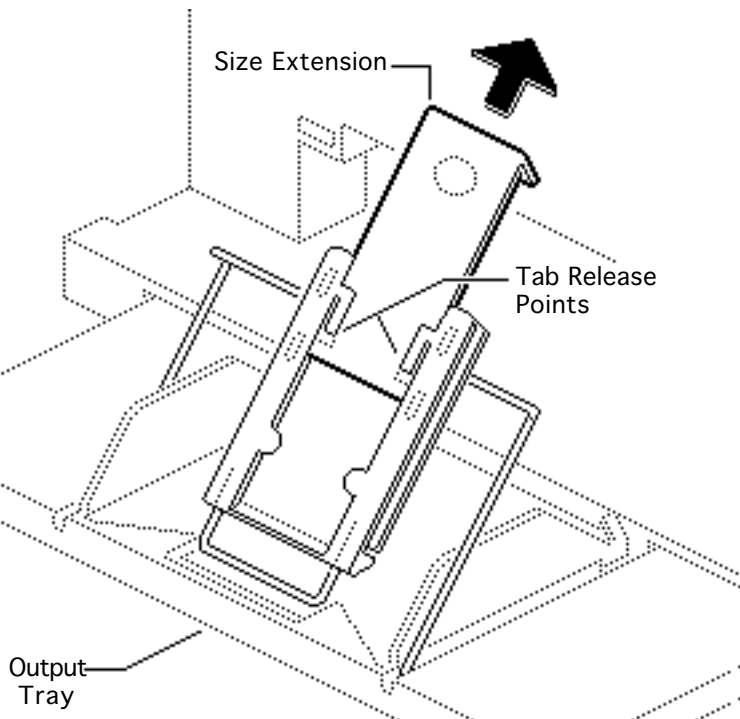




Output Tray Size Extension

Before you begin, remove cut sheet feeder





- 1 Open the output tray on the cut sheet feeder and tip up the extension so that you can see the underside.
- 2 Using a jeweler's screwdriver, lift up the tabs and slide out the size extension.

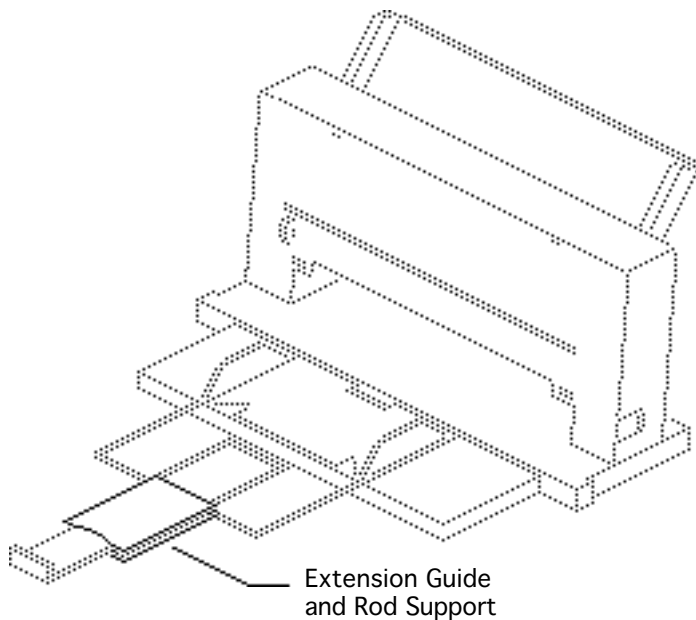


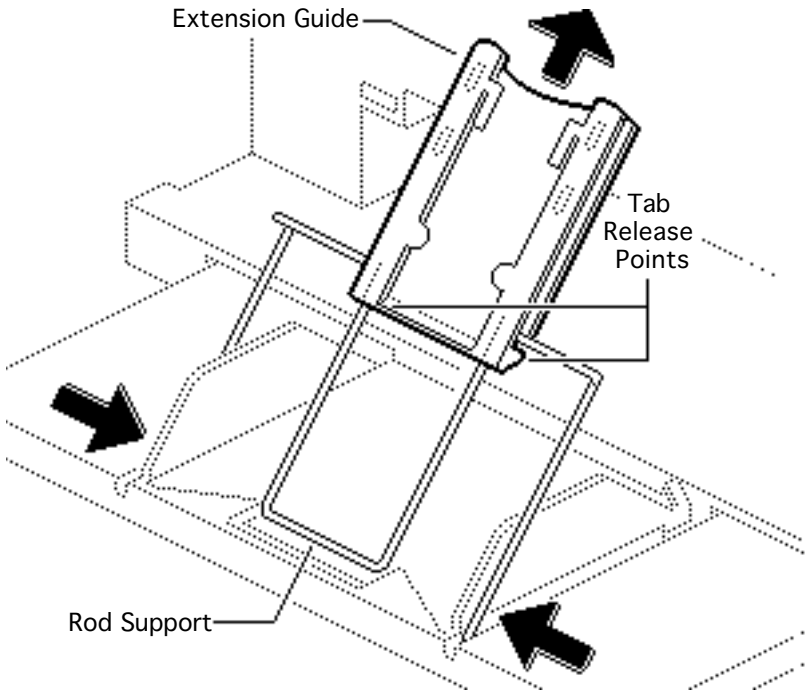


Extension Guide/ Rod Support

Before you begin, remove the following:

- Tray Size Extension
- Cut Sheet Feeder





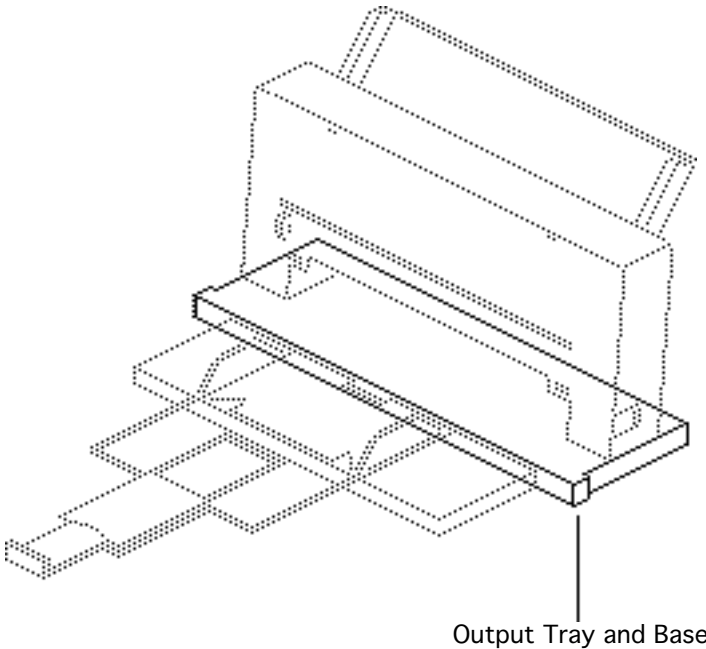
- 1 Slide the extension guide to the end of the shaft. Using a jeweler's screwdriver, lift up the tabs and free the extension guide from the rod.
- 2 Press in on the lower ends of the rod support and free it from the output tray base.

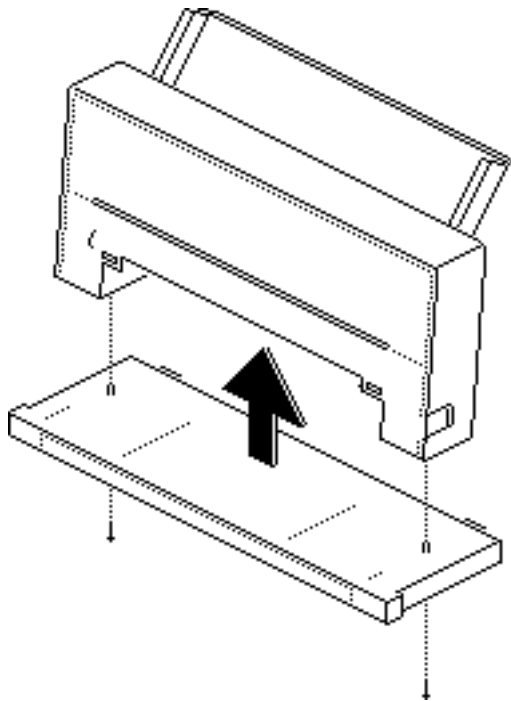




Output Tray and Base

Before you begin, remove cut sheet feeder





- 1 Remove the two screws and lift off the output tray and base assembly.



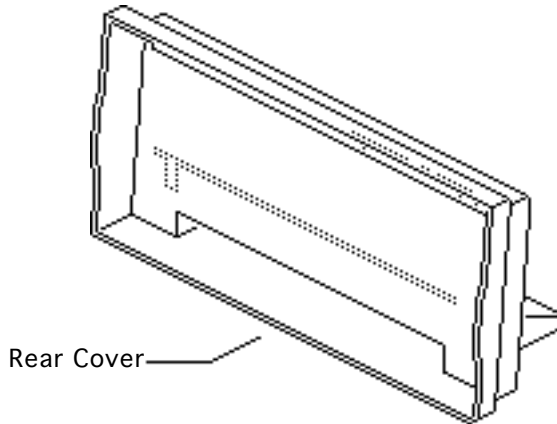


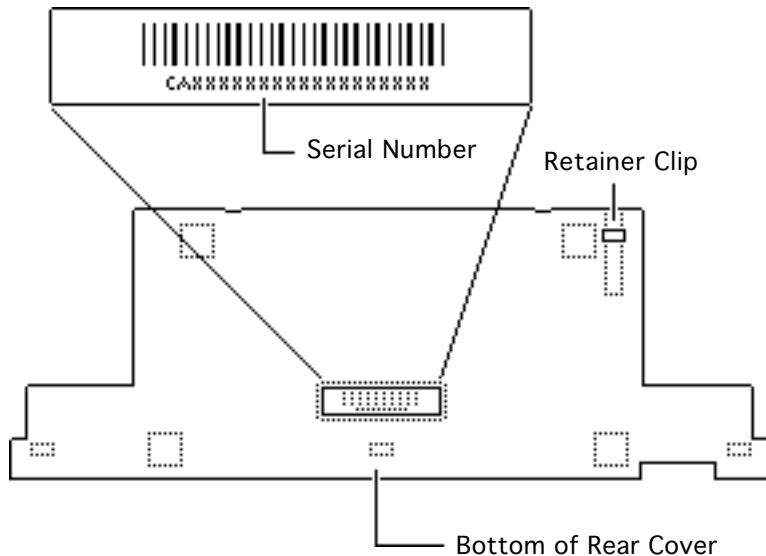
Rear Cover

Before you begin, remove the following:

- Lower access cover
- Front access cover
- Logic board
- Printer frame assembly
- Operations panel assembly

Note: This topic explains how to transfer the serial number when replacing a damaged rear cover.





- 1 Remove the retainer clip.
- 2 Read the customer's original serial number from the label on the bottom of the old rear cover and record the number with indelible ink on the bottom of the new cover.
- 3 Replace the customer's retainer clip.





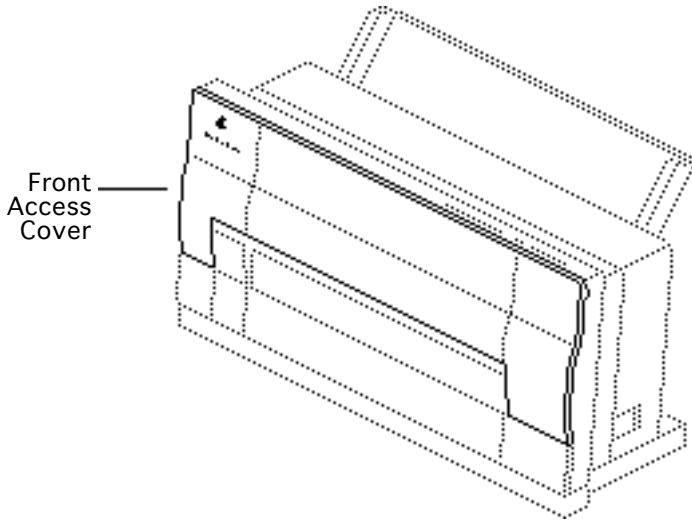
Additional Procedures

StyleWriter





Revision Identification

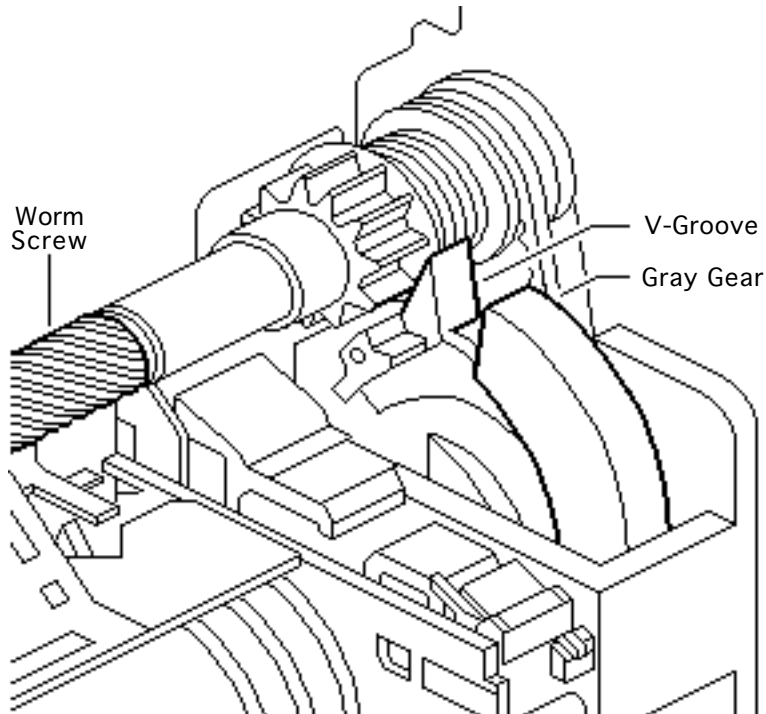


Note: This procedure explains how to distinguish between Revision A and Revision B of the StyleWriter.

You must replace Revision A and Revision B logic boards and printer frames like-for-like.

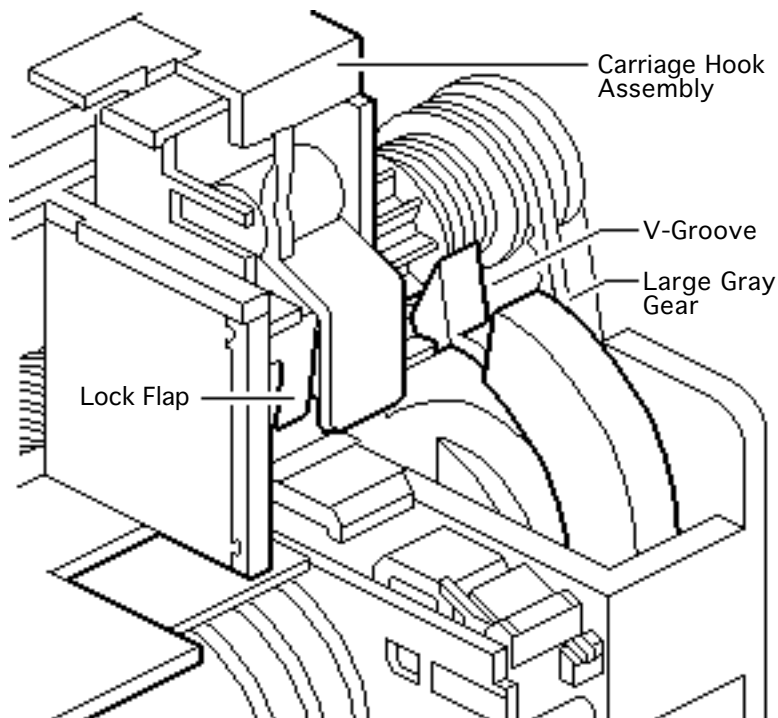
- 1 Lower the front access cover.





- 2 Rotate the carriage worm screw until the V-groove of the large gray gear faces up.

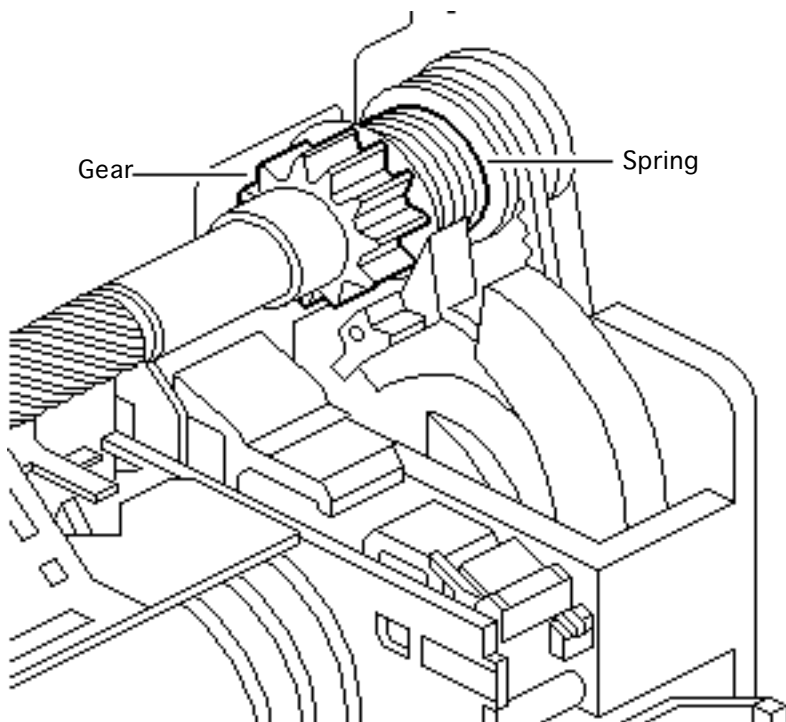




Note: It may be necessary to push gently on the carriage hook assembly or to rotate the worm screw slightly to slide the carriage hook assembly.

- 3 Slide the carriage hook assembly to the left by guiding the lock flap through the V-groove of the large gray gear.





- 4 If the gear next to the spring and at the right end of the worm screw is black, install the logic board and printer frame assembly for Revision A.

If the gear is gray, install the logic board and printer frame assembly for Revision B.

Note: Revision A logic board has QG2-5053 silkscreened on it. Revision B logic board has QG2-2403 silkscreened on it.





Exploded View

StyleWriter



